



HM11

Visit www.load-cell.co.za • T +27 (0)12 386 3065 • E: loadcells@richterscale.co.za



- HM11 load cells are available in the capacities 5kg~500kg.
- Alloy steel construction, welded with bellow, potted by adhesive inside, oil proof, waterproof, anti-corrosive gas and medium making it suitable for all kinds of environments.
- Single point with bellow, easy installation, suitable for crane scales, mechanical conversion scales, hopper scales and other electronic weighing devices.
- Safe and anti-explosive product, can be used in atrocious environment and hazardous areas.

Features

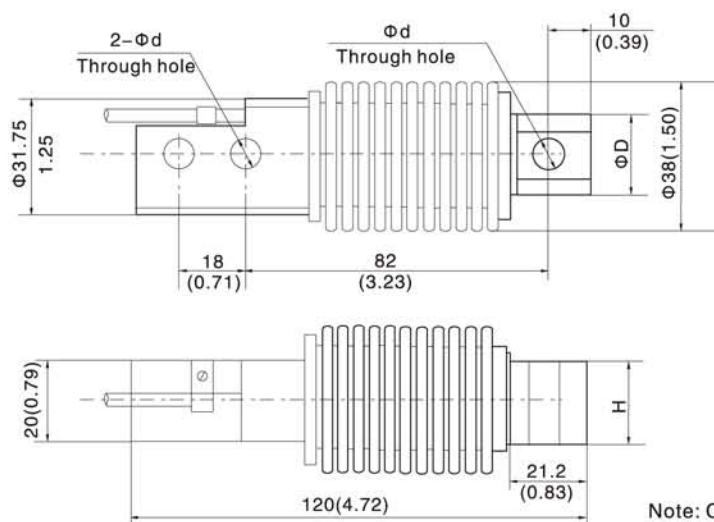
- Capacity 5kg~500kg
- High accuracy
- Alloy steel construction
- Low profile

Accessories

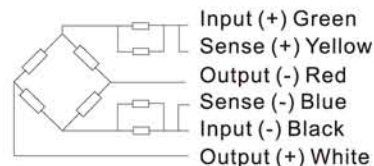
- BM-11-401 • BM-11-402

Specifications							
Capacity	kg	5/10/20/30/50/100/200/250/300/350/500					
Accuracy		C2	C3	A5S	A5M	B10S	B10M
Maximum number of verification intervals	Π_{max}	2000	3000	5000	5000	10000	10000
Minimum load cell verification interval	V_{min}	$E_{max}/5000$	$E_{max}/10000$	$E_{max}/15000$	$E_{max}/15000$	$E_{max}/10000$	$E_{max}/10000$
Combined error	(%FS)	$\leq \pm 0.030$	$\leq \pm 0.020$	$\leq \pm 0.018$	$\leq \pm 0.026$	$\leq \pm 0.035$	$\leq \pm 0.050$
Creep	(%FS/30min)	$\leq \pm 0.024$	$\leq \pm 0.016$	$\leq \pm 0.012$	$\leq \pm 0.017$	$\leq \pm 0.030$	$\leq \pm 0.040$
Temperature effect on sensitivity	(%FS/10°C)	$\leq \pm 0.017$	$\leq \pm 0.011$	$\leq \pm 0.009$	$\leq \pm 0.013$	$\leq \pm 0.030$	$\leq \pm 0.040$
Temperature effect on zero	(%FS/10°C)	$\leq \pm 0.023$	$\leq \pm 0.015$	$\leq \pm 0.010$	$\leq \pm 0.014$	$\leq \pm 0.030$	$\leq \pm 0.020$
Output sensitivity	(mv/v)	2.0±0.02					
Input resistance	(Ω)	460±50					
Output resistance	(Ω)	351±2.0					
Insulation resistance	(MΩ)	≥5000(50VDC)					
Zero balance	(%FS)	1.0					
Temperature, compensated	(°C)	-10~+40					
Temperature, operating	(°C)	-35~+65					
Excitation, recommended	(V)	5~12(DC)					
Excitation, max	(V)	18(DC)					
Safe overload	(%FS)	150					
Ultimate overload	(%FS)	300					

Outline Dimension mm(inch)



Dimension	Capacity (kg)	
	5, 10, 20, 30, 50	350, 500
d	8.2 (0.32)	10.3 (0.41)
D	23 (0.91)	24 (0.94)
H	20 (0.79)	19 (0.75)



Wiring:

Both 4 and 6 conductor wires are available on customers' requirements.
Cable diameter: $\phi 5\phi 0.2\text{mm}$
Standard length for 4 conductor cable: 3m
Standard length for 6 conductor cable: 6m

Note: Connection of 6 conductor wires are as above. For 4 conductor wires the yellow and blue sense wires are removed.