



Accessory

Visit www.load-cell.co.za • T +27 (0)12 386 3065 • E: loadcells@richterscale.co.za

HM-14-403

Capacity 10t-50t
Part number HM-14-403-10/50t

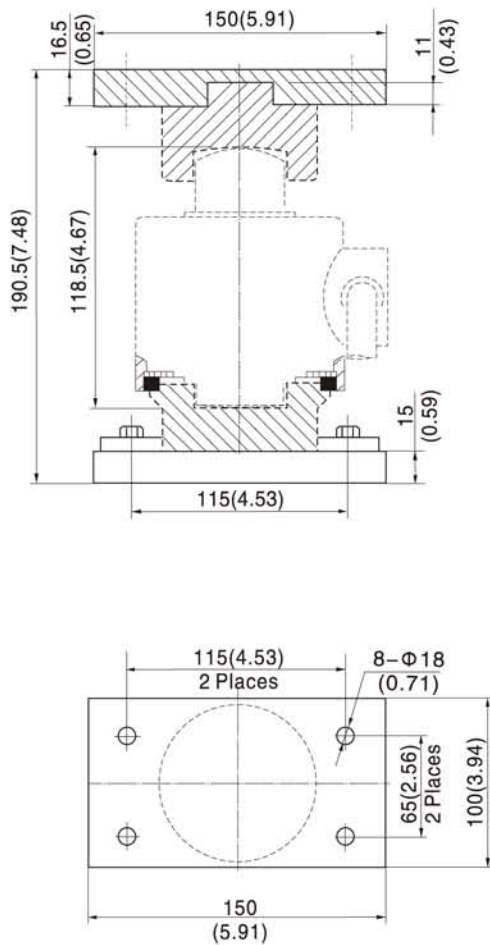
Features:

- Compact construction, easy installation
- With self-aligning ability



Alloy steel
 Assembled with: BM14C, HM14C (without top plate and bottom plate)

Outline Dimension mm(inch)



Installation

