

Accessory

Visit www.load-cell.co.za • T +27 (0)12 386 3065 • E: loadcells@richterscale.co.za

HM-14-401

Capacity 10t-50t
Part number HM-14-401-10/50t

Features:

- Compact construction, easy installation
- With anti-reversal ability
- With horizontal locating ability
- With self-aligning ability

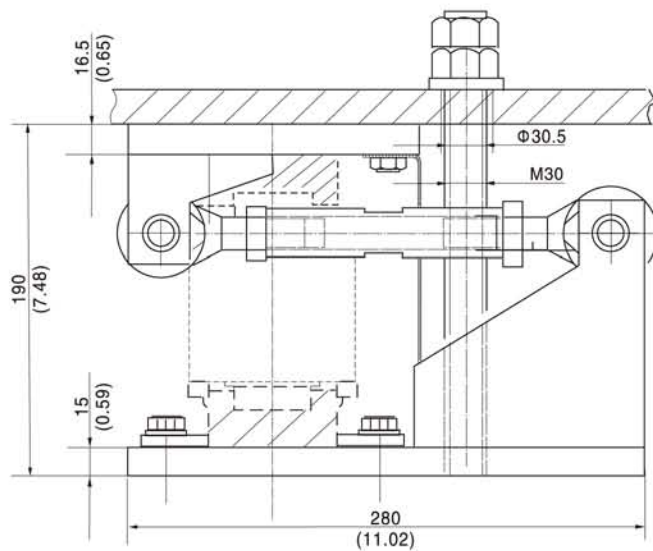
Specifications

Ultimate load	150%FS
Max. anti-rotation	50KN
Max. anti-side loading	50KN
Max. horizontal displacement	5.4mm



Alloy steel
 Assembled with: BM14C, HM14C (without top plate and bottom plate)

Outline Dimension mm(inch)



Installation

