



Accessory

Visit www.load-cell.co.za • T +27 (0)12 386 3065 • E: loadcells@richterscale.co.za

HL-3-003

Capacity	Part number
25kg-50kg	HL-3-003-25/50kg
100kg-150kg	HL-3-003-100/150kg
200kg-1000kg	HL-3-003-200/1000kg
1.5t	HL-3-003-1.5t
2t-3t	HL-3-003-2/3t
5t	HL-3-003-5t

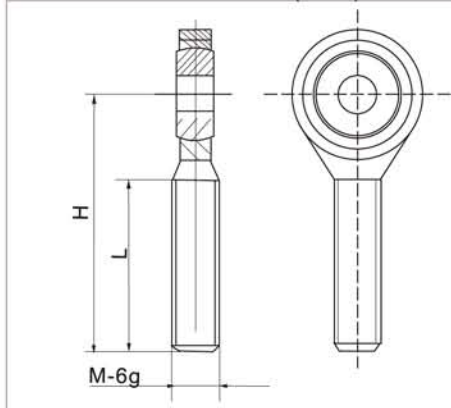
Features:

Matched with S type load cells, suitable for hybrid scales, crane scales, packaging scales, hopper scales, and other electronic weighing devices.



Alloy steel, assembled with: H3, B3G, H3G, H3F, BM3

Outline Dimension mm(inch)



Capacity	H	M×L	Shaft joint bearing	Lifting weight
25kg-50kg	42(1.65)	M8×24	Bearing GB/T9161-2001 SA 8E	0.55t
100kg-150kg	48(1.89)	M10×26	Bearing GB/T9161-2001 SA 10E	0.81t
200kg-300kg	54(2.13)	M12×28	Bearing GB/T9161-2001 SA 12E	1.08t
500kg-750kg	54(2.13)	M12×28	Bearing GB/T9161-2001 SA 12E	1.08t
1t	54(2.13)	M12×28	Bearing GB/T9161-2001 SA 12E	1.08t
1.5t	63(2.48)	M12×28	Bearing GB/T9161-2001 SA 20E	3.0t
2t-3t	78(3.07)	M20×1.5×43	Bearing GB/T9161-2001 SA 20E	3.0t
5t	89(3.5)	M20×1.5×43	Bearing GB/T9161-2001 SA30ES	6.0t

HL-3-004

Capacity	Part number
25kg-50kg	HL-3-004-25/50kg
100kg-150kg	HL-3-004-100/150kg
200kg-300kg	HL-3-004-200/300kg
500kg-750kg	HL-3-004-500/750kg
1t-1.5t	HL-3-004-1/1.5t
2t-3t	HL-3-004-2/3t
5t	HL-3-004-5t

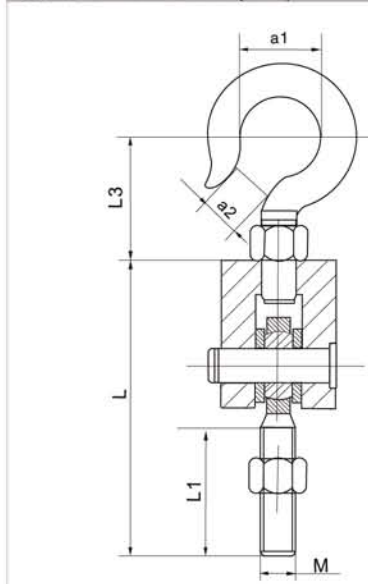
Features:

Matched with S type load cells, suitable for hybrid scales, crane scales, packaging scales, hopper scales, and other electronic weighing devices.



Alloy steel, assembled with: H3, B3G, H3G, H3F, BM3

Outline Dimension mm(inch)



Capacity	Dimension							Lifting weight
	a1	a2	L	L1	L2	M		
25kg-50kg	25(0.98)	20(0.79)	77(3.03)	21(0.83)	77.5(3.05)	M8	0.25t	
100kg-150kg	25(0.98)	20(0.79)	83(3.27)	26(1.02)	80.5(3.17)	M10	0.25t	
200kg-300kg	28(1.10)	22(0.87)	89(3.50)	28(1.10)	91(3.58)	M12	0.4t	
500kg-750kg	34(1.34)	27(1.06)	89(3.50)	28(1.10)	120.5(4.74)	M12	0.8t	
1t	40(1.57)	32(1.26)	89(3.50)	28(1.10)	137.5(5.41)	M12	1.08t	
1.5t	40(1.57)	32(1.26)	118(4.65)	28(1.10)	130.5(5.14)	M12	1.6t	
2t-3t	48(1.89)	38(1.5)	133(5.24)	43(1.69)	158(6.22)	M20×1.5	3.0t	
5t	56(2.20)	45(1.77)	149(5.87)	43(1.69)	201(7.91)	M20×1.5	6.0t	