

RICHTER SCALE



H9H

Visit www.load-cell.co.za • T +27 (0)12 386 3065 • E: loadcells@richterscale.co.za



- H9H load cells are available in the capacities 50Klb~100Klb.
- Alloy steel construction, potted by adhesive inside, oil proof, waterproof, anti-corrosive gas and medium making it suitable for all kinds of environments.
- Dual shear beam, suitable for electronic truck scales, hopper scales, track scales and other electronic weighing devices.

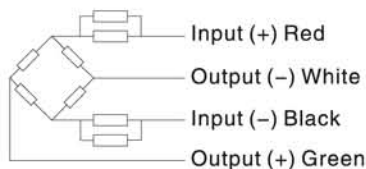
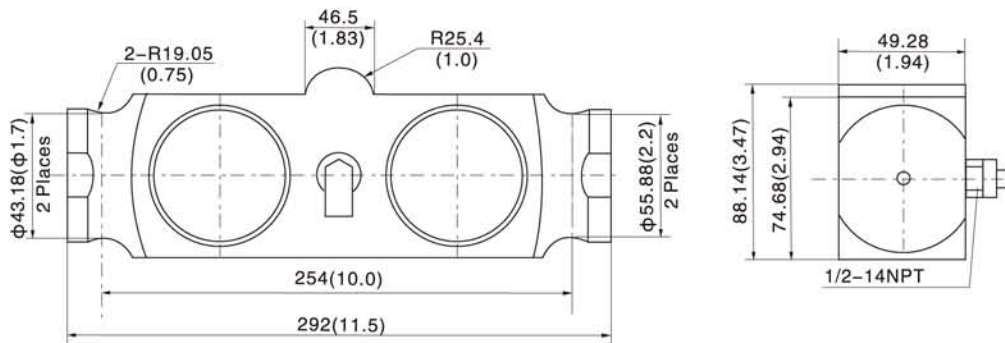
Features

- Capacity 50Klb~100Klb
- High accuracy
- Alloy steel construction
- Easy installation and reliable performance

Specifications

Capacity	Klb	50/60/75/100			
Accuracy		C2	C3	A5S	A5M
Maximum number of verification intervals	n_{max}	2000	3000	5000	5000
Minimum load cell verification interval	v_{min}	$E_{max}/5000$	$E_{max}/10000$	$E_{max}/15000$	$E_{max}/15000$
Combined error	(%FS)	$\leq \pm 0.030$	$\leq \pm 0.020$	$\leq \pm 0.018$	$\leq \pm 0.026$
Creep	(%FS/30min)	$\leq \pm 0.024$	$\leq \pm 0.016$	$\leq \pm 0.012$	$\leq \pm 0.017$
Temperature effect on sensitivity	(%FS/10°C)	$\leq \pm 0.017$	$\leq \pm 0.011$	$\leq \pm 0.009$	$\leq \pm 0.013$
Temperature effect on zero	(%FS/10°C)	$\leq \pm 0.023$	$\leq \pm 0.015$	$\leq \pm 0.010$	$\leq \pm 0.014$
Output sensitivity	(mv/v)	3.0 ± 0.003			
Input resistance	(Ω)	700 ± 7			
Output resistance	(Ω)	703 ± 4			
Insulation resistance	(M Ω)	$\geq 5000(50VDC)$			
Zero balance	(%FS)	1.0			
Temperature, compensated	(°C)	-10~+40			
Temperature, operating	(°C)	-35~+65			
Excitation, recommended	(V)	5~12(DC)			
Excitation, max	(V)	18(DC)			
Safe overload	(%FS)	150			
Ultimate overload	(%FS)	300			

Outline Dimension mm(inch)



Wiring:

Adopt shielded, 4 conductor cable: $\Phi 5mm$
Standard cable length: 9m