



- H2A load cells are available in the manifold accurate measurement in the capacities 1MN to 5MN.
- Alloy steel, surface bluing treatment, spray painted, oil-proof, waterproof and anti-corrosion, suitable for groundsill measuring and other engineering measuring fields.
- Spoke type, easy installation, suitable for special force measuring equipments.
- Safety and anti-explosive product, can be used in atrocious environments and hazardous areas.

Features

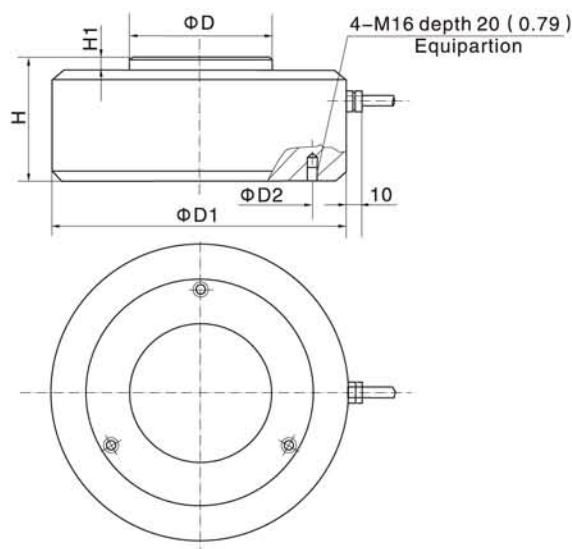
- Capacities: 1MN ~ 5MN
- Alloy steel construction
- High reliability and long life span



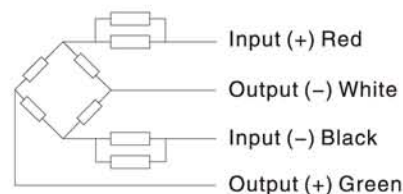
Specifications

Capacity	MN	1/2/3/4/5		
Accuracy		G1	G2	G3
Combined error	(%FS)	0.1%	0.2%	0.3%
Creep	(%FS/30min)	0.05%	0.05%	0.05%
Temperature effect on sensitivity	(%FS/10°C)	0.05%	0.1%	0.2%
Temperature effect on zero	(%FS/10°C)	0.05%	0.1%	0.2%
Output sensitivity	(mv/v)	≥2.0		
Input resistance	(Ω)	1072±5		
Output resistance	(Ω)	1050±5		
Insulation resistance	(MΩ)	≥5000(50VDC)		
Zero balance	(%FS)	1.0		
Temperature, compensated	(°C)	-10~+40		
Temperature, operating	(°C)	-35~+65		
Excitation, recommended	(V)	5~12(DC)		
Excitation, max	(V)	18(DC)		
Safe overload	(%FS)	150		
Ultimate overload	(%FS)	300		

Outline Dimension mm(inch)



Capacity(t)	100	200	300	400	500
D	59 (2.32)	78 (3.07)	91 (3.58)	110 (4.33)	133 (5.24)
D1	260 (10.24)	290 (11.42)	330 (12.99)	400 (15.75)	400 (15.75)
D2	200 (7.87)	225 (8.86)	251 (9.88)	296 (11.65)	307 (12.09)
H	80 (3.15)	104 (4.09)	123 (4.84)	132 (5.20)	132 (5.20)
H1	10 (0.39)	10 (0.39)	10 (0.39)	10 (0.39)	10 (0.39)



Wiring:

Adopt shielded, 4 conductor cable: Φ5mm
Standard cable length: 5m