

Accessory

Visit www.load-cell.co.za • T +27 (0)12 386 3065 • E: loadcells@richterscale.co.za

BY-8-106

Capacity 0.5t-2t
Part number BY-8-106-0.5/2t

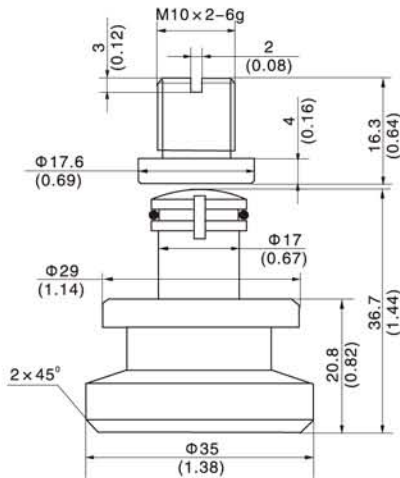
Features:

Easy installation, adjustable height, automatically centralized inside.
 Stainless steel construction, anti-corrosion, can be used under hazardous environments.
 Mainly used for platform scales and other electronic weighing devices under hazardous environments.



Stainless steel, assembled with: H8C-W2

Outline Dimension mm(inch)



BY-14-101

Capacity 10t, 25t
 40t, 60t
Part number BY-14-101-10/25t
 BY-14-101-40/60t

Features:

Easy installation, good self-aligning ability, anti-reversal ability.
 Stainless steel construction, anti-corrosion, can be used under hazardous environments.
 Mainly used for platform scales, automobile testing facilities, electronic truck scales and other electronic weighing devices.



Stainless steel,
 Assembled with: BM14A
 M8 screw hole is for anti-reversal occasion.

Outline Dimension mm(inch)

