



Accessory

Visit [www.load-cell.co.za](http://www.load-cell.co.za) • T +27 (0)12 386 3065 • E: [loadcells@richterscale.co.za](mailto:loadcells@richterscale.co.za)

## BY-8-104

Capacity	Part number
0.5t-2t	BY-8-104-0.5/2t
2.5t-5t	BY-8-104-2.5/5t
1K-4KSE	BY-8-104-1/4KSE
5K-10K	BY-8-104-5/10K

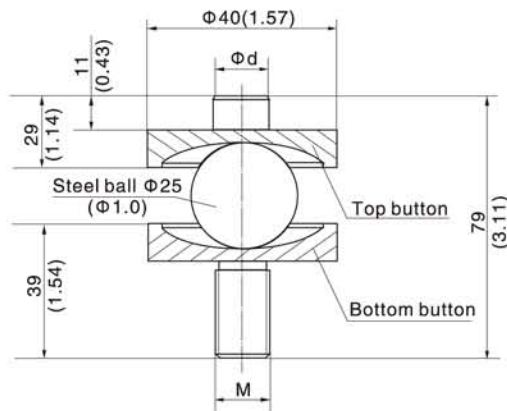
**Features:**

Easy installation, good self-aligning ability, automatically centralized with steel ball.  
 Stainless steel construction, anti-corrosion, can be used under hazardous environments.  
 Mainly used for platform scales and other electronic weighing devices.



Stainless steel,  
 Assembled with: H8C,B8D,HM8C,BM8D

**Outline Dimension mm(inch)**



Dimension Capacity	$\Phi d$	M
0.5t-2t	12	M12 x 1.75
1K-4KSE	(0.47)	
2.5t-5t	18	M18 x 1.5
5K-10K	(0.71)	

## HY-8-105

Capacity	Part number
0.5t-2t	HY-8-105-0.5/2t

**Features:**

Easy installation, good self-aligning ability.  
 Mainly used for platform scales and other electronic weighing devices.



Alloy steel,  
 Assembled with: H8C,B8D,HM8C,BM8D

**Outline Dimension mm(inch)**

