

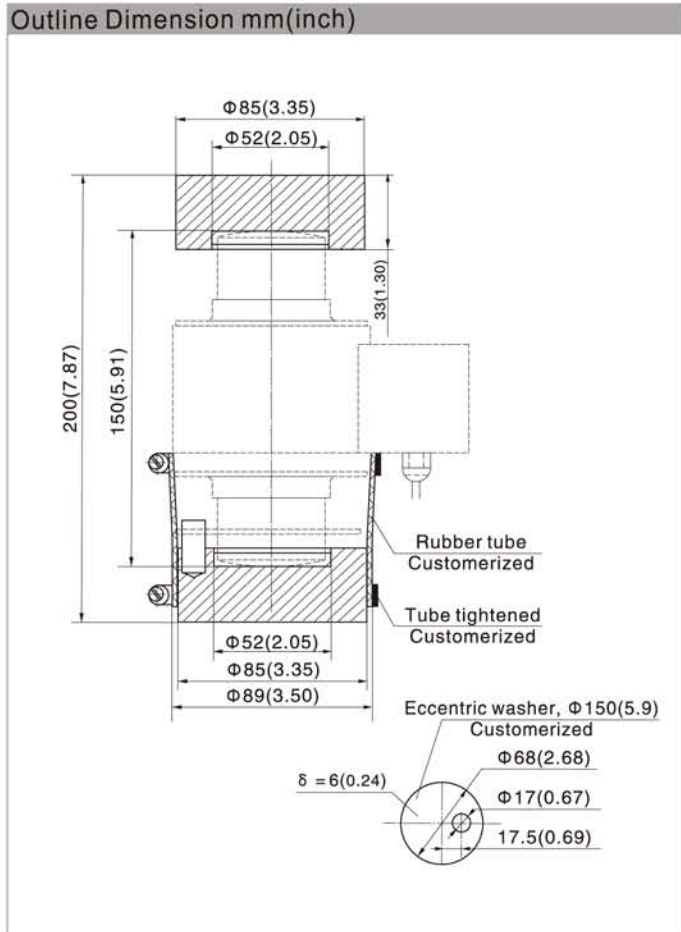
Accessory

Visit [www.load-cell.co.za](http://www.load-cell.co.za) • T +27 (0)12 386 3065 • E: [loadcells@richterscale.co.za](mailto:loadcells@richterscale.co.za)

## BY-14-105

**Capacity** 10t-50t  
**Part number** BY-14-105-10/50t

**Features:**  
 Easy installation, good self-aligning ability, anti-reversal ability.  
 Stainless steel construction, anti-corrosion, can be used under hazardous environments.  
 Mainly used for platform scales, automobile testing facilities, electronic truck scales and other electronic weighing devices.



## BY-14-106

**Capacity** 10t-50t  
**Part number** BY-14-106-10/50t

**Features:**  
 Easy installation, good self-aligning ability, anti-reversal ability.  
 Stainless steel construction, anti-corrosion, can be used under hazardous environments.  
 Mainly used for platform scales, automobile testing facilities, electronic truck scales and other electronic weighing devices.

