

RICHTER SCALE

zemic.co.za

BM8H/H8H

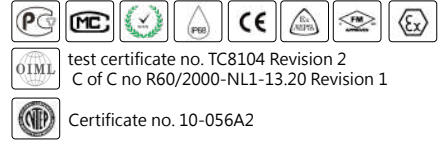
FEATURES

- Stainless steel IP68 shear beam load cell
- Hermetically sealed
- Suitable for hopper, platform and pallet scales
- High accuracy
- Current calibrated (sc-option)

AVAILABLE MODELS

xxkg	C3	H8H-C3-xxkg-xB
xxt	C3	H8H-C3-xxt-xB
500lb	C3	H8H-C3-500-xYB
xxklb	C3	H8H-C3-xxK-xYB
xxkg	C3/A5M/B10S/B10M	BM8H-xx-xxkg-xB
xxt	C3/A5M/B10S/B10M	BM8H-xx-xt-xB
xxlb	A5M/B10S/B10M	BM8H-xx-xx-xB
xxKlb	A5M/B10S/B10M	BM8H-xx-xxK-xB
xxkg	C3/A5M/B10S/B10M	BM8H-xx-xxkg-xB-A1
xxt	C3/A5M/B10S/B10M	BM8H-xx-xt-xB-A1
xxlb	A5M/B10S/B10M	BM8H-xx-xx-xB-A1
xxKlb	A5M/B10S/B10M	BM8H-xx-xxK-xB-A1

BM8H 500kg-5t approved by OIML C3.
1klb-10klb (500kg-5t) approved by NTEP A5M/B10S/B10M.
"A1" refers to currency output, resistance 1000Ω.

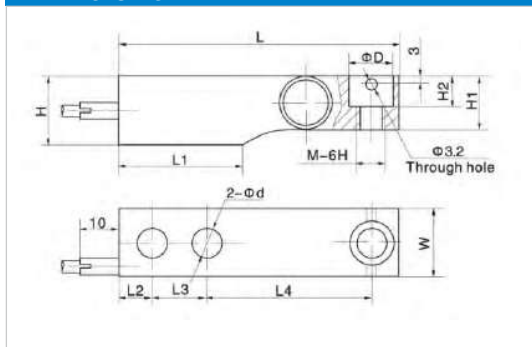


SPECIFICATION

Maximum capacity (E _{max})	t klb	0.25/0.5/1/2/2.5/3/5 0.5/1/2.5/4/5/10				
		B10S	C3	C4	A5M	B10M
Accuracy class			OIML R60 C3			
Approvals						
Maximum number of load cell intervals (nLC)	n _{max}	III10000 Single	3000	4000	III5000	III10000 Multiple
Ratio of minimum LC verification interval $Y = E_{max} / V_{min}$	v _{min}	E _{max} /10000	E _{max} /10000	E _{max} /14000	E _{max} /15000	E _{max} /10000
Combined error	%FS	≤ ±0.035	≤ ±0.020	≤ ±0.018	≤ ±0.026	≤ ±0.050
Creep	%FS/30min	≤ ±0.03	≤ ±0.016	≤ ±0.012	≤ ±0.017	≤ ±0.040
Temperature effect on sensitivity	%FS/10°C	≤ ±0.03	≤ ±0.011	≤ ±0.009	≤ ±0.013	≤ ±0.040
Temperature effect on zero	%FS/10°C	≤ ±0.03	≤ ±0.015	≤ ±0.010	≤ ±0.014	≤ ±0.020
Output sensitivity (=FS)	mV/V	2.0±0.002/2.0±0.004(H8H)				
Input resistance	Ω	1000±10		350±3.5		
Output resistance	Ω	1000±10		351±2.0		
Insulation resistance	MΩ	≥ 5000 (50VDC)				
Zero balance	%FS	≤ ±1.0				
Compensated temperature	°C	-10~+40				
Operating temperature	°C	-35~+70				
Excitation, recommended voltage	V	5~12 (DC)				
Excitation maximum	V	18 (DC)				
Safe overload	%FS	150				
Ultimate overload	%FS	300				
ATEX classification (optional)		II1G Ex ia II1C T4		II1D Ex iaD20 T73°C		II3G Ex nL II C T4

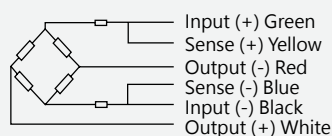
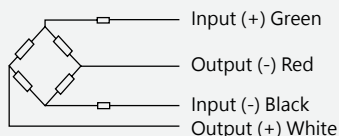
Note: accuracy for H8H is at C3, no OIML, NTEP, PTB, ATEXM, FM, Ex NEPSI approvals. Capacity of 2.5t/3t is not available, and input resistance is 350±3.5 while output resistance is 351±2.0.

DIMENSIONS IN MM



Capacity	250kg (500lb)	500kg (1klb)	1.0t(2klb) (2.5klb)	1.5t,2.0t (4klb,5klb)	2.5t,3t	5.0t (10klb)
Dimension						
L	130.0(5.12)	130.0(5.12)	130.0(5.12)	130.0(5.12)	172.0(6.77)	172.0(6.77)
L1	57(2.24)	57.1(2.25)	57.1(2.25)	57.1(2.25)	76.2(3.0)	76.2(3.0)
L2	15.5(0.62)	15.5(0.62)	15.5(0.62)	15.5(0.62)	19.1(0.75)	19.1(0.75)
L3	25.4(1.0)	25.4(1.0)	25.4(1.0)	25.4(1.0)	38.1(1.5)	38.1(1.5)
L4	76.2(3.0)	76.2(3.0)	76.2(3.0)	76.2(3.0)	95.3(3.75)	95.3(3.75)
H	31.8(1.24)	31.8(1.24)	31.8(1.24)	35.9(1.41)	44(1.72)	44(1.72)
H1	25.5(1.0)	26.0(1.02)	27.95(1.10)	31.95(1.26)	36(1.42)	40(1.57)
H2	14.2(0.55)	14.2(0.55)	14.2(0.55)	14.2(0.55)	20(0.78)	20(0.78)
W	31.8(1.24)	31.8(1.24)	31.8(1.24)	31.8(1.24)	38(1.48)	38(1.48)
D	20.5(0.81)	20.5(0.81)	20.5(0.81)	20.5(0.81)	30.2(1.19)	30.2(1.19)
d	13(0.51)	13(0.51)	13(0.51)	13(0.51)	20.5(0.81)	20.5(0.81)
M	M12 1/2-20UNF	M12 1/2-20UNF	M12 1/2-20UNF	M12 1/2-20UNF	M20	M20 3/4-20UNF

WIRING



- Shielded, 6 conductor cable and 4 conductor cable for all capacities.
- Cable diameter: Φ5mm.
- Standard cable length for 500kg - 1t: 3m and for 2t - 5t: 6m.
- Shield is not connected to element.