

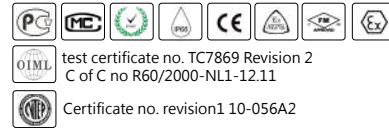
FEATURES

- Stainless steel shear beam load cell (150kg and 300 kg are bending beam load cells)
- Hermetically sealed IP68
- Suitable for floor scales, vehicle-test line, hopper scales and other electronic weighing devices
- High accuracy
- Wide range of capacities



AVAILABLE MODELS

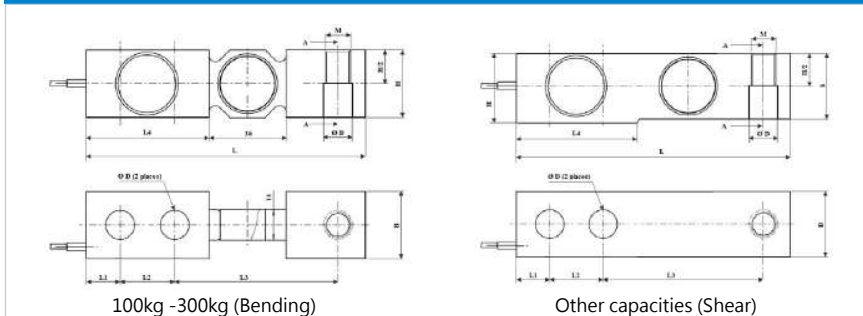
xxkg	C3/C5/C6/A5M/B10S/B10M	BM8D-xx-xxkg-6B
txt	C3/C5/C6/A5M/B10S/B10M	BM8D-xx-xt-6B
xxlb	A5M/B10S/B10M	BM8D-xx-xx-6YB
xxklb	A5M/B10S/B10M	BM8D-xx-xxK-6YB
50kg-300kg approved by OIML C3; 3.0t-15t approved by OIML C5.		
500kg-2.5t approved by OIML C6.		
500KG-10t (1klb-20Klb) S1 type approved by NTEP A5S/A5M/B10S/B10M.		



SPECIFICATION

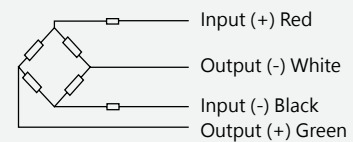
		C3	C5	C6	B10S	A5M	B10M
Accuracy class							
Approvals		OIMLR60 C3	OIMLR60 C5	OIMLR60 C6			
Output sensitivity (=FS)	mV/V	2.0 ± 0.004			3.0 ± 0.008		
Maximum capacity (Emax)	t	0.1/0.15/0.2/0.25/0.3/0.5/1/1.5/2/2.5/3/5/7.5/10					
	klb	1/1.5/2/2.5KLE/3/4/5/5KSE/7.5/10/15/20					
Maximum number of load cell intervals (nLC)		3000	5000	6000	IIIL10000 Single	IIIL5000 Multiple	IIIL10000 Multiple
Ratio of minimum LC verification interval Y=Emax / Vmin		10000	18000	20000	10000	15000	10000
Combined error	%FS	± 0.020	± 0.010	± 0.009	± 0.035	± 0.026	± 0.050
Minimum dead load	%FS	0					
Safe overload	%FS	150					
Ultimate overload	%FS	300					
Zero balance	%FS	± 1.0					
Excitation, recommended voltage	V	5 ~ 12 (DC)					
Excitation maximum	V	18 (DC)					
Input resistance	Ω	350 ± 3.5					
Output resistance	Ω	350 ± 3.5					
Insulation resistance	MΩ	≥ 5000 (50VDC)					
Compensated temperature	°C	-10 ~ +40					
Operating temperature	°C	-35 ~ +65					
Storage temperature	°C	-40 ~ +70					
Element material		Stainless steel					
Recommended torque on fixation	N.m	M12: 75		M20:450		M24:750	
Ingress protection (according to EN 60529)		IP68					
ATEX classification (optional)		II1G Ex ia IIC T4		II1D Ex iaD 20 T73°C		II3G Ex nL IIC T4	

DIMENSIONS IN MM



Dimension	L	L1	L2	L3	L4	B	H	h	ΦD	ΦD1	Φd1	Φd2	M
Capacity													
0.15t-0.3t						31.3 (1.23)		-					
0.5t	130 (5.12)	15.7 (0.62)	25.4 (1.0)	76.2 (3.0)	57.1 (2.25)	31.1 (1.22)	31.3 (1.23)	24.8 (0.98)	13.5 (0.53)	18 (0.71)	4 (0.16)	2 (0.08)	M12
1t								26.0 (1.024)					
1.5t - 2t						31.3 (1.23)		28.0					
2.5t- 5t	171 (6.75)	19 (0.75)	38.1 (1.5)	95.2 (3.75)	76.2 (1.024)		36.8 (1.45)	34.8 (1.37)	20.5 (0.81)	25 (0.98)	4 (0.16)	2 (0.08)	M20
7.5t~10t	222 (8.75)	25.4 (1.0)	50.8 (2.0)	120.7 (4.75)	101.6 (1.024)	49.5 (1.95)	49.5 (1.95)	47.5 (1.87)	26.9 (1.06)	-	-	-	M24

WIRING



- Shielded, 4 conductor cable.
- Cable diameter: Φ5mm.
- Standard cable length: 5m.
- Shield is not connected to element.