

RICHTER SCALE

zemic.co.za

BM6E

FEATURES

- Stainless steel IP68 single point load cell
- Suitable for single load cell structured platform scales
- High accuracy
- Maximum platform size: 600 x 600 mm

AVAILABLE MODELS

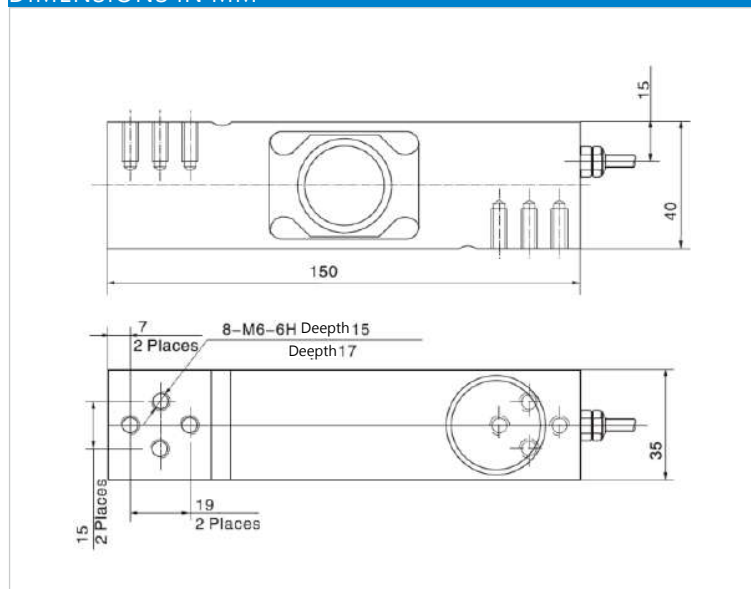
Capacity	Accuracy	Full article description
50kg	C3	BM6E-C3-50kg-2B
100kg	C3	BM6E-C3-100kg-2B
150kg	C3	BM6E-C3-150kg-2B
200kg	C3	BM6E-C3-200kg-2B
250kg	C3	BM6E-C3-250kg-2B
300kg	C3	BM6E-C3-300kg-2B



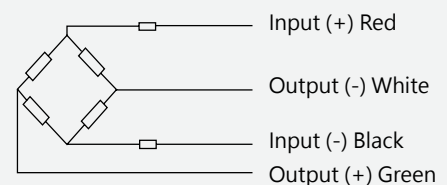
SPECIFICATION

Accuracy class		C3
Output sensitivity (=FS)	mV/V	2.0 ± 0.2
Maximum capacity (E _{max})	kg	50/100/150/200/250/300
Maximum number of load cell intervals (nLC)		3000
Ratio of minimum LC verification interval Y = E _{max} / V _{min}		10000
Combined error	%FS	± 0.0230
Minimum dead load	%FS	0
Safe overload	%FS	150
Ultimate overload	%FS	300
Zero balance	%FS	± 1.5
Excitation, recommended voltage	V	5 ~ 12 (DC)
Excitation maximum	V	18 (DC)
Input resistance	Ω	350 ± 3.5
Output resistance	Ω	351 ± 2.0
Insulation resistance	MΩ	≥ 5000 (50VDC)
Compensated temperature	°C	-10 ~ +40
Operating temperature	°C	-35 ~ +65
Storage temperature	°C	-40 ~ +70
Element material		Stainless steel
Recommended torque on fixation	N.m	M6: 10
Corner correction		0.02 % load value / 100 mm
Ingress protection (according to EN 60529)		IP68
Note: "S1" output sensitivity is 2.0±0.002mV/V		

DIMENSIONS IN MM



WIRING



- Shielded cable, 4 conductor cable.
- Cable diameter: Ø5mm.
- Standard cable length: 2m.
- Shield is not connected to element