

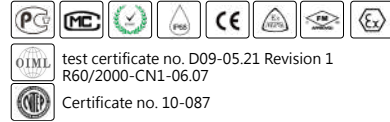
### FEATURES

- Stainless steel IP68 compression load cell
- Hermetically sealed
- Suitable for hopper scales and vehicle testing facilities
- Built in surge arrestors
- Current calibrated (sc-option)



### AVAILABLE MODELS

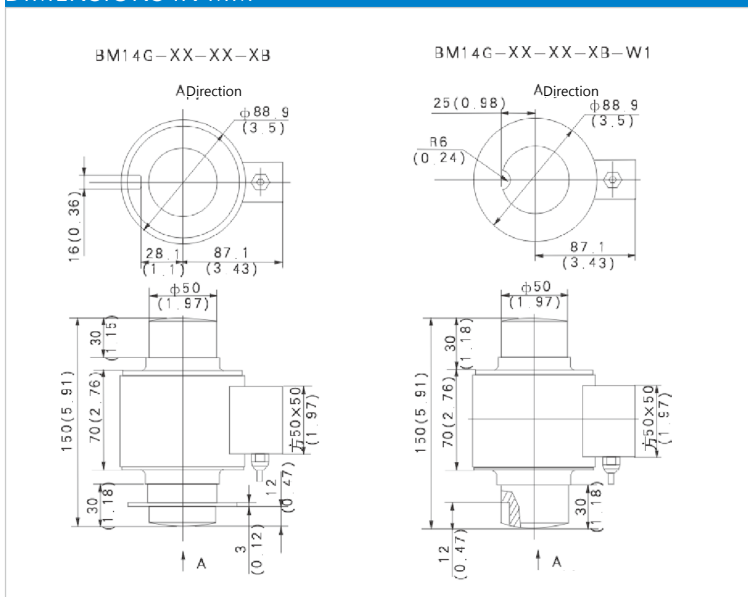
xxt	C3/A5M/B10M	BM14G-xx-xxt-15B-SC
OIML Certificate (10t-50t C3 Class). NTEP A5M/B10M Certificate (10t-50t). SC: output in mv/v/ohm		



### SPECIFICATION

	t	10/20/30/40/50			
		C3	C4	B10M	A5M
Maximum capacity (E <sub>max</sub> )					
Accuracy class		C3	C4	B10M	A5M
Approvals		OIML R60 C3			
Maximum number of load cell intervals (nLC)		3000	4000	10000	5000
Ratio of minimum LC verification interval Y=E <sub>max</sub> / V <sub>min</sub>		10000	14000	10000	15000
Combined error	%FS	±0.020	±0.018	±0.05	±0.026
Creep	%FS/30min	±0.016	±0.012	±0.04	±0.017
Temperature effect on sensitivity	%FS/10°C	±0.011	±0.009	±0.04	±0.013
Temperature effect on zero	%FS/10°C	±0.015	±0.010	±0.02	±0.014
Output sensitivity (=FS)	mV/V	2.0±0.02			
Input resistance	Ω	700±7			
Output resistance	Ω	703±4			
Insulation resistance	MΩ	≥ 5000 (50VDC)			
Zero balance	%FS	±1.0			
Compensated temperature	°C	-10~+40			
Operating temperature	°C	-35~+70			
Excitation, recommended voltage	V	5~12 (DC)			
Excitation maximum	V	18 (DC)			
Safe overload	%FS	150			
Ultimate overload	%FS	300			
ATEX classification (optional)		II1G Ex ia II1C T4	II1D Ex iaD20 T73°C	II3G Ex nL II C T4	

### DIMENSIONS IN MM



### WIRING

- Shielded, 4 conductor cable
- Cable Diameter: Φ5mm
- Standard cable length: 15m
- Shield is not connected to element

Note:

- BM14G-XX-XX-XB type is not suitable for the following countries: UK, France, Germany, Italy, The Netherlands.
- Users can choose different structures of BM14G products, or contact with ZEMIC sales representatives for further products information.