

FEATURES

- Stainless steel IP68 compression/tension load cell
- Hermetically sealed
- Suitable for vehicle and hopper scales and vehicle testing facilities
- Built in surge arrestors

AVAILABLE MODELS

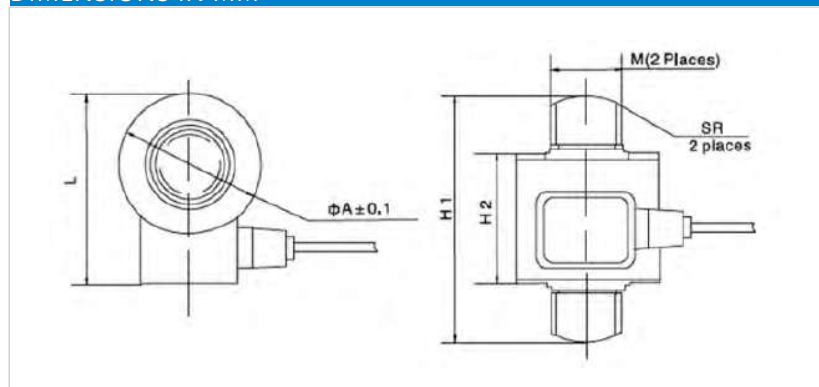
Capacity	Accuracy	Full article description
10 t	C2	BM14D-C2-10t-13B
20 t	C2	BM14D-C2-20t-13B
25 t	C2	BM14D-C2-25t-13B
30 t	C2	BM14D-C2-30t-13B
40 t	C2	BM14D-C2-40t-13B
50 t	C2	BM14D-C2-50t-13B
100 t	C2	BM14D-C2-100t-13B



SPECIFICATION

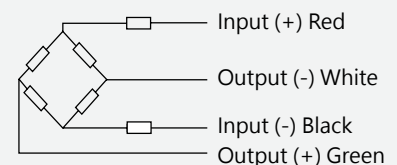
Accuracy class		C2
Output sensitivity (=FS)	mV/V	1.5 ± 0.003
Maximum capacity (E _{max})	t	10/20/25/30/40/50/100
Maximum number of load cell intervals (nLC)		2000
Ratio of minimum LC verification interval Y=E _{max} / V _{min}		5000
Combined error	%FS	± 0.030
Minimum dead load	%FS	0
Safe overload	%FS	150
Ultimate overload	%FS	300
Zero balance	%FS	± 1.0
Excitation, recommended voltage	V	5 ~ 12 (DC)
Excitation maximum	V	18 (DC)
Input resistance	Ω	700 ± 7
Output resistance	Ω	703 ± 4
Insulation resistance	MΩ	≥ 5000 (50VDC)
Compensated temperature	°C	-10 ~ +40
Operating temperature	°C	-35 ~ +65
Storage temperature	°C	-40 ~ +70
Element material		Stainless steel
Ingress protection (according to EN 60529)		IP68
ATEX classification (optional)		II1G Ex ia IIC T4 II1D Ex iaD 20 T73°C II3G Ex nL IIC T4

DIMENSIONS IN MM



Dimension	H1	H2	ΦA	L	M	SR
Capacity						
10t~20t	180 (7.08)	69.3 (2.73)	73 (2.87)	99.7 (3.92)	M36×3	200 (7.87)
25t~30t	200 (7.87)	70 (2.75)	88.9 (3.5)	115.6 (4.55)	M42×3	250 (9.84)
40t~60t	250 (9.84)	99.3 (3.91)	105 (4.13)	138.3 (5.44)	M56×4	300 (11.81)
100t	350 (13.7)	131.9 (5.19)	152.4 (4.93)	183.9 (7.14)	M76×4	400 (15.75)

WIRING



- Shielded, 4 conductor cable.
- Cable diameter: Φ7.7mm
- Standard cable length: 13m.
- Shield is not connected to element