

## FEATURES

- Stainless steel IP68 single ended bending beam
- Hermetically sealed
- Suitable for pallet, platform and small hopper scales
- High accuracy
- Current calibrated (sc-option)

## AVAILABLE MODELS

Capacity	Accuracy	Full article description
5 kg	C3 Excluded from OIML	BM11-C3-5kg-3B-SC
10 kg	C3/C4	BM11-C3/C4-10kg-3B-SC
20 kg	C3/C4	BM11-C3/C4-20kg-3B-SC
30 kg	C3/C4	BM11-C3/C4-30kg-3B-SC
50 kg	C3/C4	BM11-C3/C4-50kg-3B-SC
100 kg	C3/C4	BM11-C3/C4-100kg-3B-SC
200 kg	C3/C4	BM11-C3/C4-200kg-3B-SC
250 kg	C3/C4	BM11-C3/C4-250kg-3B-SC
350 kg	C3/C4	BM11-C3/C4-350kg-3B-SC
500kg	C3/C4	BM11-C3/C4-500kg-3B-SC



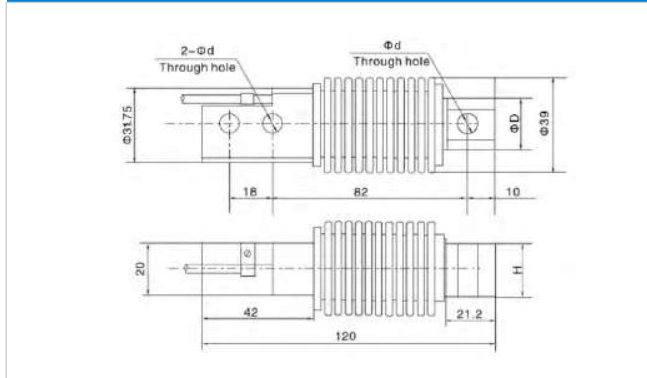
OIML test certificate no. TC7968 Revision 0 C of C  
no R60/2000-NL1-11.20

Certificate no. 07-020A1

## SPECIFICATION

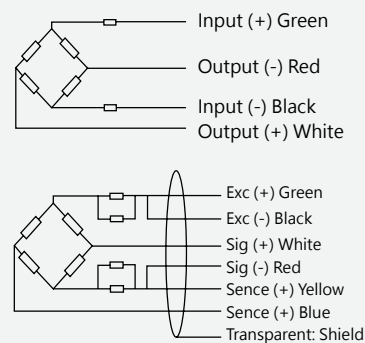
		C3	OIML R60 C3	OIML R60 C4
Accuracy class		C3	OIML R60 C3	OIML R60 C4
Output sensitivity (=FS)	mV/V		2.0 ± 0.02	
Maximum capacity (E <sub>max</sub> )	klb	5	10, 20, 30, 50, 100, 200, 250, 350, 500	
Maximum number of load cell intervals (nLC)		3000	3000	4000
Ratio of minimum LC verification interval Y=E <sub>max</sub> /V <sub>min</sub>		10000	15000	
Combined error	%FS		± 0.023	± 0.0174
Minimum dead load	%FS		0	
Safe overload	%FS		150	
Ultimate overload	%FS		300	
Zero balance	%FS		± 1.0	
Excitation, recommended voltage	V		5~12 (DC)	
Excitation maximum	V		18 (DC)	
Input resistance	Ω		460 ± 50	
Output resistance	Ω		350 ± 3.5	
Insulation resistance	MΩ		≥ 5000 (50VDC)	
Compensated temperature	°C		-10 ~ +40	
Operating temperature	°C		-35 ~ +65	
Storage temperature	°C		-40 ~ +70	
Element material			Stainless steel	
Ingress protection (according to EN 60529)			IP68	
Recommended torque on fixation	N.m		M8:25	M10:50
ATEX classification (optional)	Operating temperature		°C	
		II1G Ex ia IIC T4	II1D Ex iaD20 T73°C	II3G Ex nL IIC T4

## DIMENSIONS IN MM



Capacity(kg)	5,10,20,30,50,100,150,200	250,300,350,500
Dimension		
d	8.2 (0.32)	10.3 (0.41)
D	23 (0.91)	24 (0.94)
H	20 (0.79)	19 (0.75)

## WIRING



- Shielded, 6 and 4 conductor cable for all capacities.
- Cable diameter: Φ 5mm.
- Standard cable length for 4 conductor cable: 3m and for 6 conductor cable: 6m.
- Shield is not connected to element