



Accessory

Visit www.load-cell.co.za • T +27 (0)12 386 3065 • E: loadcells@richterscale.co.za

BM-9-402

Capacity	Part number
5Klb-20Klb	BM-9-402-5/20Klb
50Klb-75Klb	BM-9-402-50/75Klb
100Klb-150Klb	BM-9-402-100/150Klb
200Klb-250Klb	BM-9-402-200/250Klb

Features:

- Compact construction, easy installation
- With anti-reversal ability
- Using under heavy static load or slight dynamic load
- Stainless steel, with good ability against corrosive environments.

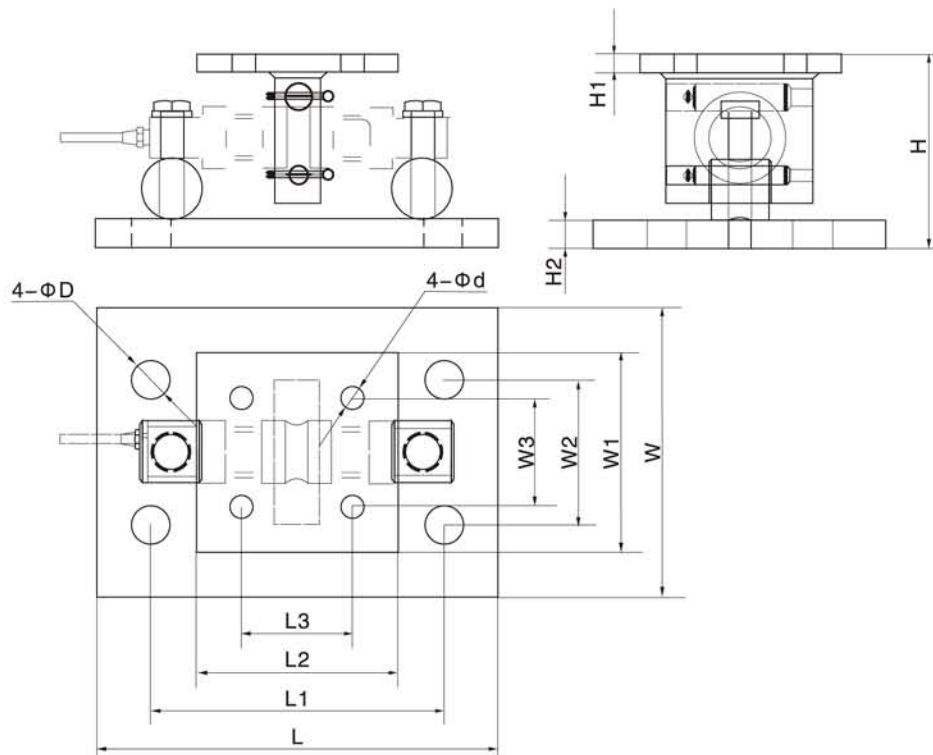
Specifications

Safe overload	150%FS
Ultimate overload	300%FS
Max. anti-rotation	40%FS
Max. anti-side loading	20%FS
Max. vertical lifting	5-20K:3.3K(1.5t)/30-75K:11K(5t) 100-150K:16.5K(7.5t)/200-250K:68K(31t)



Stainless steel, assembled with: H9C,B9C

Outline Dimension mm(inch)



Dimension Capacity	L	L1	L2	L3	W	W1	W2	W3	H	H1	H2	ΦD	Φd
5-20Klb	279.4 (11)	203.2 (8)	139.7 (5.5)	76.2 (3)	203.2 (8)	139.7 (5.5)	101.6 (4)	76.2 (3)	139.2 (5.48)	12.7 (0.5)	19 (0.75)	26.9 (1.06)	16 (0.63)
30-75Klb	381 (15)	292.1 (11.5)	203.2 (8)	130.3 (5.13)	254 (10)	203.2 (8)	152.4 (6)	130.3 (5.13)	214.1 (8.43)	19.1 (0.75)	25 (1.0)	31 (1.22)	19.1 (0.75)
100-150Klb	457.2 (18)	355.6 (14)	254 (10)	190.5 (7.5)	304.8 (12)	254 (10)	228.6 (9)	190.5 (7.5)	246 (10.39)	31.8 (1.25)	31.8 (1.25)	35.1 (1.38)	20.6 (0.81)
200-250Klb	660.4 (26)	508 (20)	304.8 (12)	228.6 (9)	304.8 (12)	304.8 (12)	152.4 (6)	228.6 (9)	400 (15.73)	50.8 (2)	50.8 (2)	47.8 (1.88)	26.9 (1.06)