

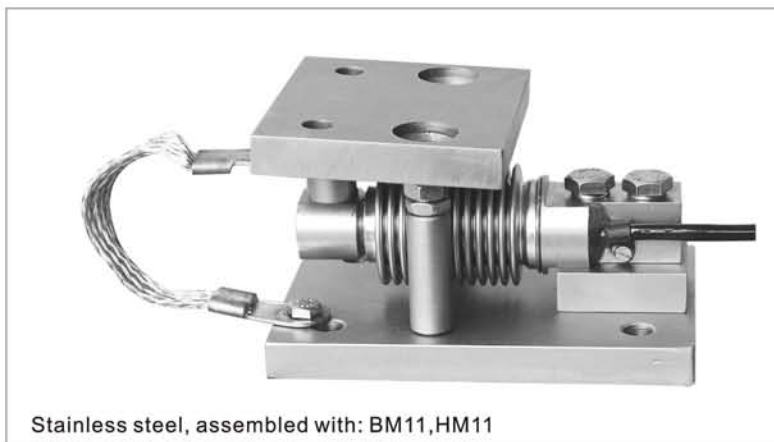


BM-11-401

Capacity	Part number
5kg-200kg	BM-11-401-5/200kg
350kg-500kg	BM-11-401-350/500kg

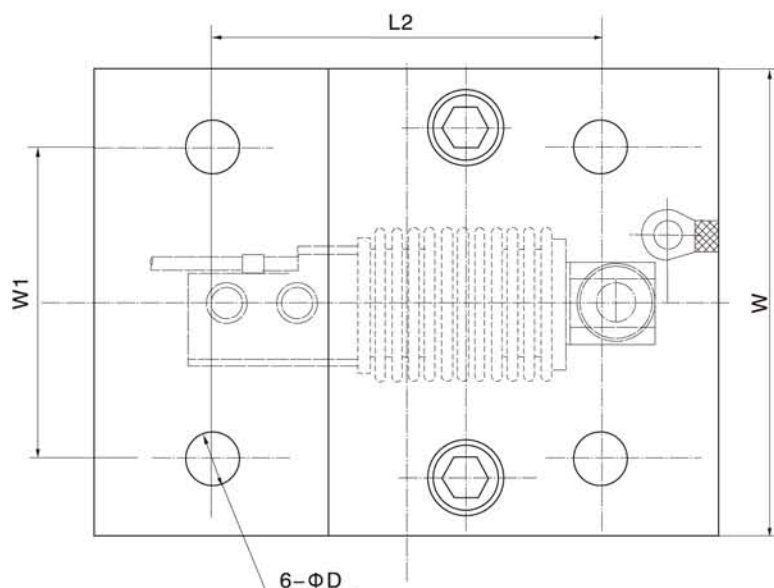
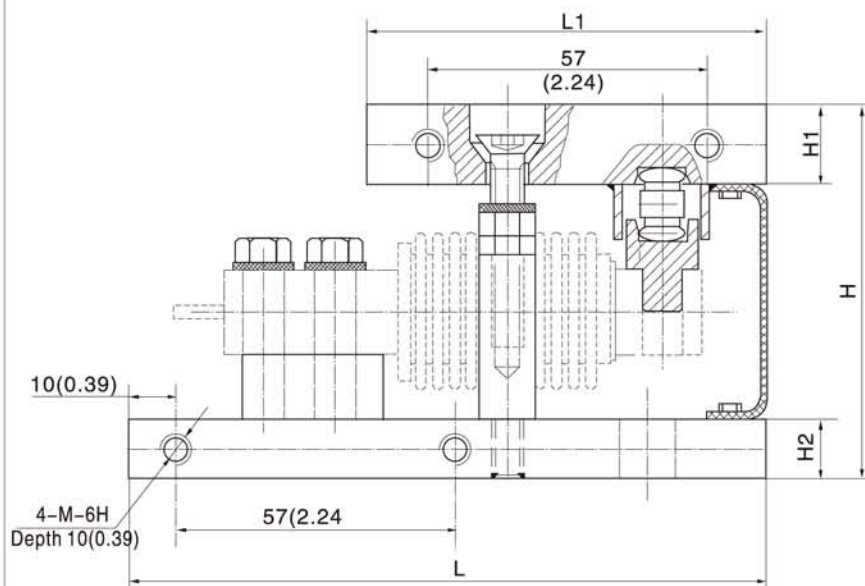
Features:

- Compact construction, easy installation
- With anti-reversal ability
- With anti-overloading ability
- With self-aligning ability



Stainless steel, assembled with: BM11, HM11

Outline Dimension mm(inch)



Capacity Dimension	5kg-200kg	350kg-500kg
H	77 (3.03)	90 (3.54)
H1	12 (0.47)	20 (0.79)
H2	12 (0.47)	15 (0.59)
L	130 (5.12)	160 (5.3)
L1	75 (2.95)	100 (3.94)
L2	95 (3.74)	100 (3.94)
W	90 (3.54)	120 (4.72)
W1	60 (2.36)	80 (3.15)
ΦD	Φ9 (0.35)	Φ14 (0.55)
M	M5	M8