

## FEATURES

- Stainless steel construction, dual shear beam structure, adhesive sealed, compression loading available.
- Ingress protection (according to EN 60529): IP67
- Suitable for electronic truck scales, hopper scales, track scales and other electronic weighing devices.



## AVAILABLE MODELS

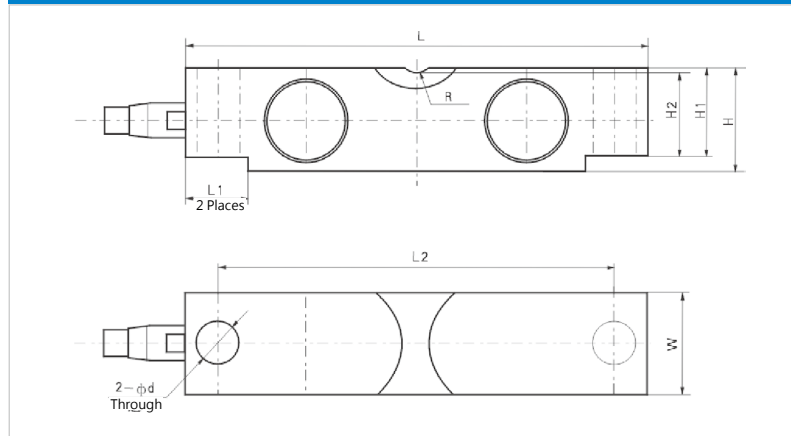
Capacity xxklb	Accuracy C3	Full article description B9N-C3-xxK-9B
-------------------	----------------	---



## SPECIFICATION

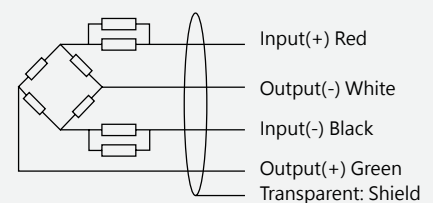
	klb	10/15/20/25/30/40/50/60/75/100/125
Maximum capacity (E <sub>max</sub> )		C3
Accuracy class		3000
Maximum number of load cell intervals (nLC)		10000
Ratio of minimum LC verification interval $Y = E_{max} / V_{min}$		
Combined error	%FS	±0.020
Creep	%FS/30min	±0.016
Temperature effect on sensitivity	%FS/10°C	±0.011
Temperature effect on zero	%FS/10°C	±0.015
Output sensitivity (=FS)	mV/V	3.0±0.003
Input resistance	Ω	700±7
Output resistance	Ω	703±4
Insulation resistance	MΩ	≥ 5000 (50VDC)
Zero balance	%FS	±1.0
Compensated temperature	°C	-10~ +40
Operating temperature	°C	-35~ +65
Excitation, recommended voltage	V	5~12 (DC)
Excitation maximum	V	18 (DC)
Safe overload	%FS	150
Ultimate overload	%FS	300

## DIMENSIONS IN MM



Capacity (klb)	Dimension	L	L1	L2	H	H1	H2	φd	W	R
10~25klb		197 (7.8)	35 (1.4)	165 (6.5)	49.3 (1.9)	43.2 (1.7)	41.4 (1.6)	Φ17.3 (0.7)	43 (1.7)	R19.1 (0.8)
30~40klb		260.4 (10.3)	49 (1.9)	216 (8.5)	62 (2.44)	53.3 (2.1)	50.8 (2.0)	Φ20.6 (0.8)	49.3 (1.9)	R25.4 (1.0)
50~75klb		260.4 (10.3)	49 (1.9)	216 (8.5)	74.7 (2.9)	67.3 (2.65)	64.5 (2.5)	Φ26.9 (1.1)	62 (2.4)	R25.4 (1.0)
100~125klb		387.4 (15.3)	79.5 (3.1)	324 (12.8)	98 (3.9)	87.1 (3.4)	83.8 (3.3)	Φ41.2 (1.6)	73.7 (2.9)	R38.1 (1.5)

## WIRING



- Adopt shielded, 4 conductor cable: Φ5mm
- Standard cable length: 9m.