

FEATURES

- Stainless steel construction, dual shear beam structure, adhesive sealed, compression loading available.
- Ingress protection (according to EN 60529): IP67
- Suitable for electronic truck scales, hopper scales, track scales and other electronic weighing devices.



AVAILABLE MODELS

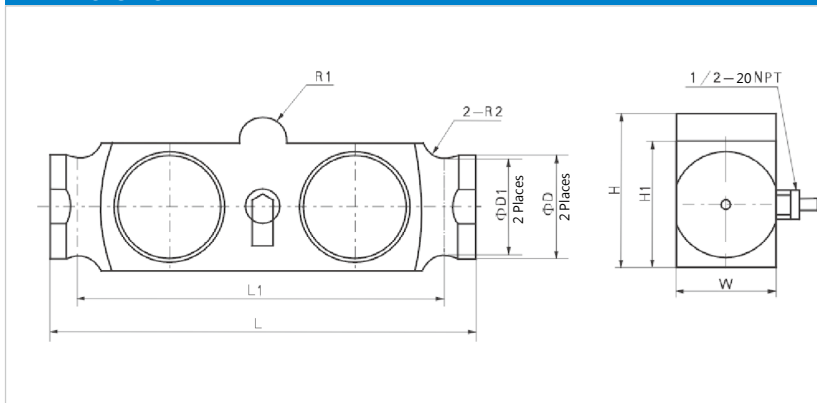
Capacity xxklb	Accuracy D3	Full article description B9F-D3-xxK-9B
-------------------	----------------	---



SPECIFICATION

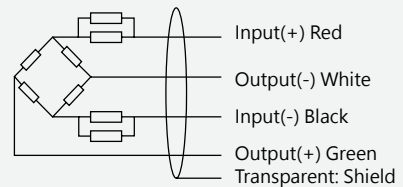
Capacity	klb	10/15/20/25/30/40/50/60/75
Accuracy class		D3
Maximum number of load cell intervals (nLC)		3000
Ratio of minimum LC verification interval $Y = E_{max} / V_{min}$		10000
Combined error	%FS	±0.020
Creep	%FS/30min	±0.016
Temperature effect on sensitivity	%FS/10°C	±0.011
Temperature effect on zero	%FS/10°C	±0.015
Output sensitivity (=FS)	mV/V	3.0±0.003
Input resistance	Ω	700±7
Output resistance	Ω	703±4
Insulation resistance	MΩ	≥ 5000 (50VDC)
Zero balance	%FS	±1.0
Compensated temperature	°C	-10~+40
Operating temperature	°C	-35~+65
Excitation, recommended voltage	V	5~12 (DC)
Excitation maximum	V	18 (DC)
Safe overload	%FS	150
Ultimate overload	%FS	300
ATEX classification (optional)		II1G Ex ia IIC T4 II1D Ex ia D20 T73°C II3G Ex nL II C T4

DIMENSIONS IN MM



Dimension	L	L1	H	H1	W	ΦD	ΦD1	R1	R2
Capacity									
10~25klb	203.2 (8.0)	180.95 (7.12)	58.8 (2.31)	49.28 (1.94)	36.58 (1.44)	Φ25.4 (1.0)	Φ20.32 (0.8)	R9.52 (0.38)	R9.53 (0.37)
40~75klb	215.9 (8.5)	184.15 (7.25)	76.12 (3.0)	62.23 (2.45)	49.53 (1.95)	Φ50.8 (2.0)	Φ44.5 (1.75)	R12.7 (0.5)	R19.05 (0.75)

WIRING



- Adopt shielded, 4 conductor cable: Φ5mm
- Standard cable length: 9m