

RICHTER SCALE

zemic.co.za

B9E

FEATURES

- Stainless steel construction, dual shear beam structure, adhesive sealed, compression loading available.
- Ingress protection (according to EN 60529): IP67
- Suitable for electronic truck scales, hopper scales, track scales and other electronic weighing devices.



AVAILABLE MODELS

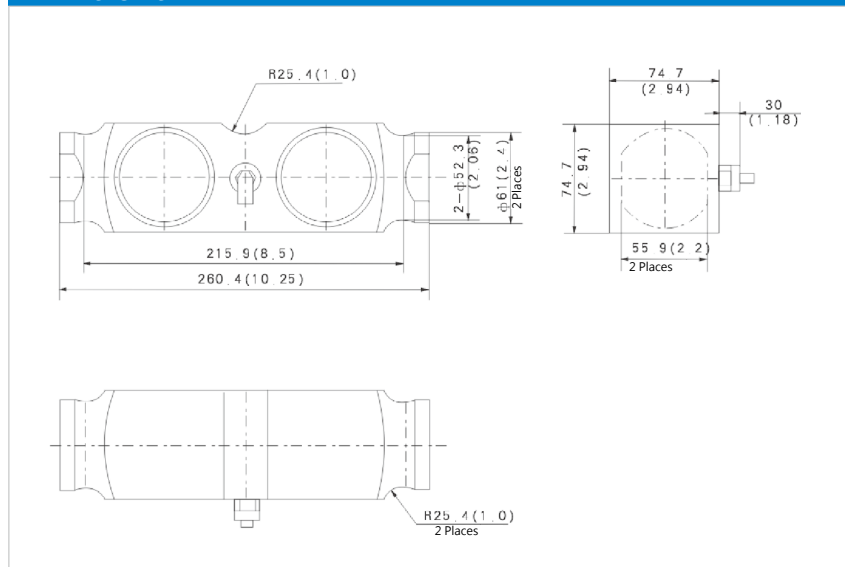
Capacity	Accuracy	Full article description
xxklb	C3	B9E-C3-xxK-9B



SPECIFICATION

Maximum capacity (E _{max})	klb	50/60/65/75/100/125/150
Accuracy class		C3
Maximum number of load cell intervals (nLC)		3000
Ratio of minimum LC verification interval $Y = E_{max} / V_{min}$		10000
Combined error	%FS	±0.020
Creep	%FS/30min	±0.016
Temperature effect on sensitivity	%FS/10°C	±0.011
Temperature effect on zero	%FS/10°C	±0.015
Output sensitivity (=FS)	mV/V	3.0±0.003
Input resistance	Ω	700±7
Output resistance	Ω	703±4
Insulation resistance	MΩ	≥ 5000 (50VDC)
Zero balance	%FS	±1.0
Compensated temperature	°C	-10~+40
Operating temperature	°C	-35~+65
Excitation, recommended voltage	V	5~12 (DC)
Excitation maximum	V	18 (DC)
Safe overload	%FS	150
Ultimate overload	%FS	300
ATEX classification (optional)		II1G Ex ia IIC T4 II1D Ex iaD20 T73°C II3G Ex nL II C T4

DIMENSIONS IN MM



WIRING

