

FEATURES

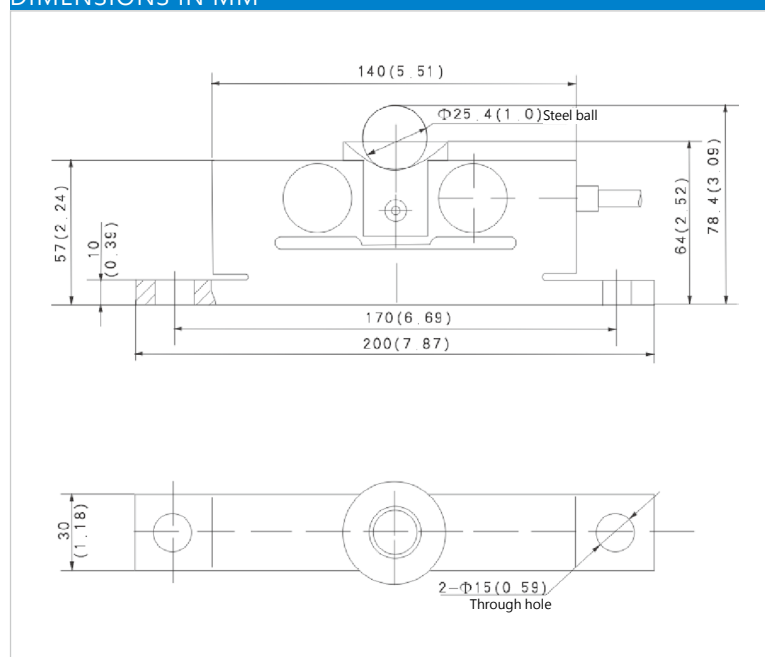
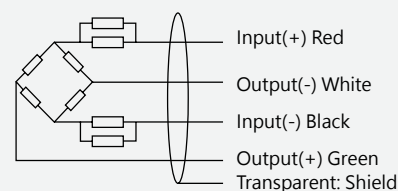
- Stainless steel construction, dual shear beam structure, adhesive sealed, compression loading available.
- Ingress protection (according to EN 60529): IP67
- Suitable for platform scales and other electronic weighing devices.

**AVAILABLE MODELS**

Capacity	Accuracy	Full article description
xxt	C3	B9B1-C3-xxt-4B

**SPECIFICATION**

Maximum capacity (E _{max})	t	2/5
Accuracy class		C3
Maximum number of load cell intervals (nLC)		3000
Ratio of minimum LC verification interval $Y = E_{max} / V_{min}$		10000
Combined error	%FS	±0.020
Creep	%FS/30min	±0.016
Temperature effect on sensitivity	%FS/10°C	±0.011
Temperature effect on zero	%FS/10°C	±0.015
Output sensitivity (=FS)	mV/V	1.2±0.004
Input resistance	Ω	700±7
Output resistance	Ω	703±4
Insulation resistance	MΩ	≥ 5000 (50VDC)
Zero balance	%FS	±2.5
Compensated temperature	°C	-10~+40
Operating temperature	°C	-35~+65
Excitation, recommended voltage	V	5~12 (DC)
Excitation maximum	V	18 (DC)
Safe overload	%FS	120
Ultimate overload	%FS	150

DIMENSIONS IN MM**WIRING**

- Adopt shielded, 4 conductor cable
- Standard cable length: 4m