

FEATURES

- Stainless steel IP67 shear beam load cell (250kg is bending beam load cells)
- Suitable for floor scales, automobile test facilities, hopper scales and other weighing devices.
- Current calibrated (sc-option)

AVAILABLE MODELS

xxkg	C3/C5/A5S/A5M/B10M	B8D-xx-xxkg-6B
txt	C3/C5/A5S/A5M/B10M	B8D-xx-xtt-6B
xxlb	A5S/A5M/B10M	B8D-xx-xx-6YB
xxklb	A5S/A5M/B10M	B8D-xx-xxK-6YB
250lb	C3	B8D-C3-250-6YB
15klb	C3	B8D-C3-15K-6YB
20klb	C3	B8D-C3-20K-6YB
200kg-500kg approved by OIML C5. 500kg-5.0t approved by OIML C3. 200KG-5.0t (500lb-10Klb) approved by NTEP A5S/A5M/B10M.		



test certificate no. TC8010 Revision 0 and D09-05.19
C of C no R60/2000-NL1-11.28 and R60/2000-CN1-06.05

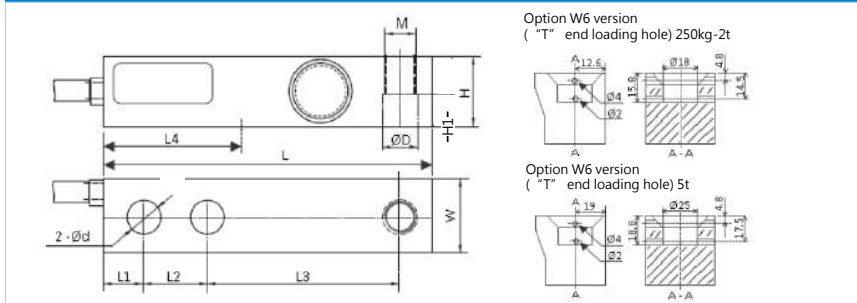


Certificate no. 12-022

SPECIFICATION

Maximum capacity (E _{max})	t	0.5/1/2/5				
	klb	0.25/0.5/0.75/1/1.5/2/2.5/2.5KLE/3/4/5/5KSE/7.5/10/15/20				
Accuracy class		C3	C5	A5S	B10M	A5M
Approvals		OIML R60 C3	OIML R60 C5			
Maximum number of load cell intervals (nLC)		3000	5000	III 5000 Single	IIIL10000Multiple	IIIL5000Multiple
Ratio of minimum LC verification interval $Y = E_{max} / V_{min}$		10000	18000	15000	10000	15000
Combined error	%FS	±0.02	±0.01	±0.018	±0.050	±0.026
Creep	%FS/30min	±0.016	±0.012	±0.012	±0.040	±0.017
Temperature effect on sensitivity	%FS/10°C	±0.011	±0.007	±0.009	±0.040	±0.013
Temperature effect on zero	%FS/10°C	±0.015	±0.014	±0.01	±0.020	±0.014
Output sensitivity (=FS)	mV/V	3.0±0.008				
Input resistance	Ω	350±3.5				
Output resistance	Ω	350±3.5				
Insulation resistance	MΩ	≥ 5000 (50VDC)				
Zero balance	%FS	±1.0				
Compensated temperature	°C	-10~+40				
Operating temperature	°C	-35~+70				
Excitation, recommended voltage	V	5~12 (DC)				
Excitation maximum	V	18 (DC)				
Safe overload	%FS	150				
Ultimate overload	%FS	300				
Recommended torque on fixation	N.m	M12: 75		M20:450		
Ingress protection (according to EN 60529)		IP67				
ATEX classification (optional)	Operating temperature	°C			-20~+40	
		IIIG Exia IIIC T4	IIID Ex iaD20 T73°C		IIIG Ex nL II C T4	

DIMENSIONS IN MM



Capacity	Dimension									
	L	L1	L2	L3	d	H	W	D	H1	M
0.25klb,0.5klb,15.klb 0.75klb,1klb,2klb	130 (5.12)	15.7 (0.62)	25.4 (1.0)	76.2 (3.0)	13.46 (0.53)	28.4 (1.12)	30.7 (1.20)	13.4 (0.53)	14.22 (0.56)	M12-6H 1/2-20UNF-2B
0.5t,1t,2t, 2.5klb,3klb,4klb,5kSE	130 (5.12)	15.7 (0.62)	25.4 (1.0)	76.2 (3.0)	13.46 (0.53)	31.32 (1.23)	31.32 (1.23)	13.4 (0.53)	15.75 (0.62)	M12-6H 1/2-20UNF-2B
3t,5t,2.5kLE,5klb, 7.5klb,10klb,15klb	171 (6.73)	19 (0.75)	38.1 (1.5)	95.2 (3.75)	20.65 19.81	36.8 19.81	36.8 (1.45)	20.65 19.81	19.05 (0.75)	M20×2.5-6H 3/4-16UNF-2B
20klb	222.25 (8.75)	25.4 (1.0)	50.8 (2.0)	120.7 (4.75)	26.9 (1.06)	49.5 (1.95)	49.5 (1.95)	27.56 (1.08)	24.75 (0.97)	M24×2-6H 1-12UNF-2B

WIRING

Input(+) Red
 Output(-) White
 Input(-) Black
 Output(+) Green
 Transparent: Shield

- Shielded, 4 conductor cable
- Cable diameter: Ø5mm
- Standard cable length: 6m
- Shield in not connected to the element