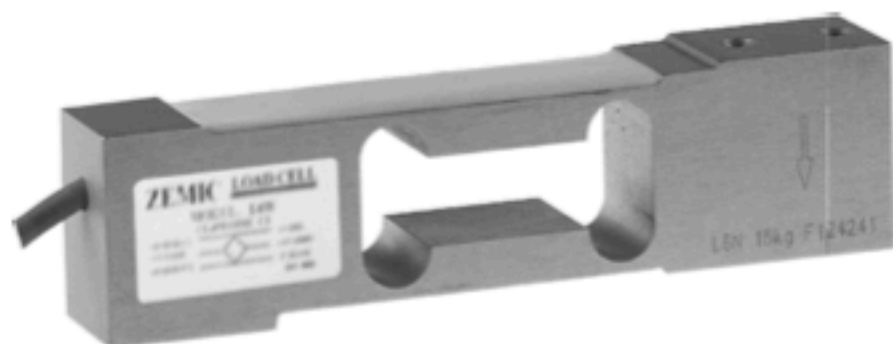


L6N



- L6N load cells are available in the capacities 3kg~100kg.
- Aluminum construction with parallel beam.
- Silicon adhesive sealed, surface anodized and anti-corrosion.
- Integral structure and easy installation.
- Suitable for electronic balance and other electronic weighing devices.

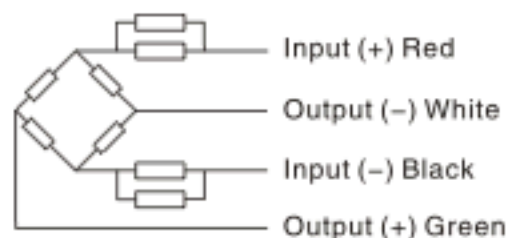
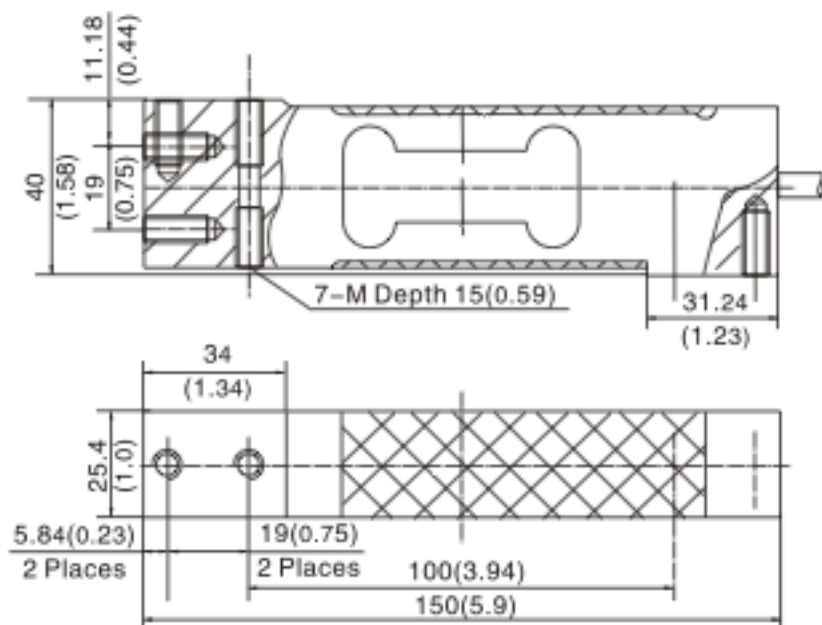
Features

- Capacity: 3kg~100kg
- High accuracy
- Max. Platform size: 400×400mm
- OIML Certificates No:R60/2000-CN1-06.04
- PTB Approval No:D09-06.11

Specifications

Capacity	kg	50/100/150/200/250/500/750/1000/2000
Accuracy		C3
Approvals		OIML R60 C3
Maximum number of verification intervals	n_{max}	3000
Minimum load cell verification interval	v_{min}	$E_{max}/7000$
Combined error	(%FS)	$\leq \pm 0.020$
Creep	(%FS/30min)	$\leq \pm 0.0167$
Temperature effect on sensitivity	(%FS/10°C)	$\leq \pm 0.0175$
Temperature effect on zero	(%FS/10°C)	$\leq \pm 0.020$
Output sensitivity	(mv/v)	2.0 ± 0.2
Input resistance	(Ω)	394 ± 6
Output resistance	(Ω)	350 ± 3
Insulation resistance	(M Ω)	$\geq 5000(50VDC)$
Zero balance	(%FS)	2
Temperature, compensated	(°C)	-10~+40
Temperature, operating	(°C)	-35~+70
Excitation, recommended	(V)	5~12(DC)
Excitation, max	(V)	18(DC)
Safe overload	(%FS)	150
Ultimate overload	(%FS)	300
Corner correction		0.02%load value/100mm

Outline Dimension mm(inch)



Wiring:

Adopt a shielded, 4 conductor cable, and cable jacket is PVC.
Cable length: $3.0 \pm 0.05m$
Cable diameter: $5.0 \pm 0.2mm$