

## Accessory

# HJ-8-201

Capacity	Part number
0.5-2t	HJ-8-201-0.5/2t
(0.5-2t)-M1	HJ-8-201-0.5/2t-M1
2.5-5t	HJ-8-201-2.5/5t
250lb-4KSE	HJ-8-201-250lb/4KSE
5Klb-10Klb	HJ-8-201-5/10K

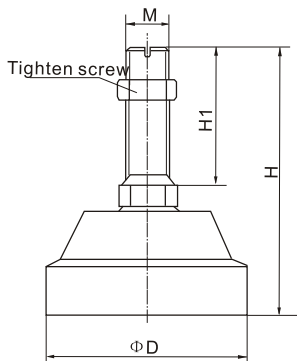
### Features:

Easy installation, adjustable height, automatically centralized inside, good ability of anti-side loading. Mainly used for platform scales, floor scales and other electronic weighing devices.



Alloy steel, assembled with: H8C, B8D

### Outline Dimension mm(inch)



Dimension Capacity	ΦD	H	H1	M
0.5t-2t	60 (2.36)	92 (3.62)	50 (1.97)	M12 × 1.75
250lb-4Klb				1/2-20UNF
2.5t-5t	80 (3.15)	105 (4.13)	50 (1.97)	M18 × 1.5 (Only for H8C)
5K-10Klb				M20 × 2.5 (Only for B8D)
				3/4-16UNF
10t	86 (3.39)	112 (4.41)	50 (1.97)	M24 × 2
(0.5t-2t)-M1	60 (2.36)	92 (3.62)	50 (1.97)	M16 × 1.5

# BJ-8-202

Capacity	Part number
0.5-2t	BJ-8-202-0.5/2t
2.5-5t	BJ-8-202-2.5/5t
250lb-4KSE	BJ-8-202-250lb/4KSE
5K-10Klb	BJ-8-202-5/10K
10t	BJ-8-202-10t

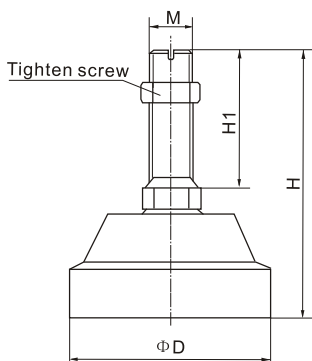
### Features:

Easy installation, adjustable height, anti-corrosion, automatically centralized inside, good ability of anti-side loading. Mainly used for platform scales, floor scales and other electronic weighing devices under hazardous environments.



Stainless steel, assembled with: B8D, H8C

### Outline Dimension mm(inch)



Dimension Capacity	ΦD	H	H1	M
0.5t-2t	60 (2.36)	90 (3.54)	50 (1.97)	M12 × 1.75
250lb-4Klb				1/2-20UNF
2.5t-5t	80 (3.15)	105 (4.13)	50 (1.97)	M20 × 2.5 (Only for B8D)
5K-10Klb				3/4-16UNF