



- HM2D4 load cells are available for manifold accurate measurement in the capacities 0.5t to 20t.
- Alloy steel, hermetically sealed, oil-proof, waterproof and anti-corrosion, suitable for multiform environments.
- Spoke type, suitable for electronic truck scale, hopper scale, automotive testing line and other electronic weighing devices and various force measurement occasions.

Features

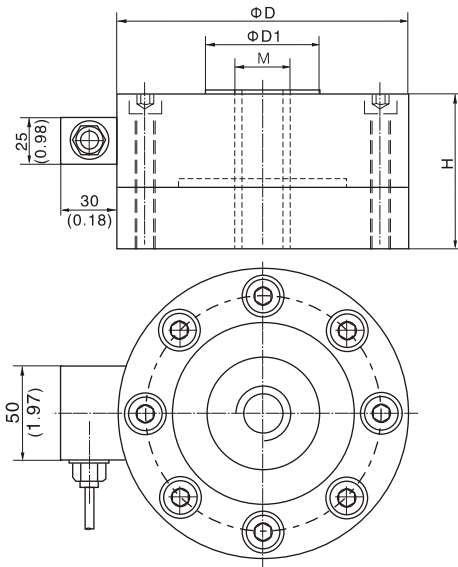
- Capacity: 0.5t~20t
- High accuracy
- Alloy steel construction
- Low profile



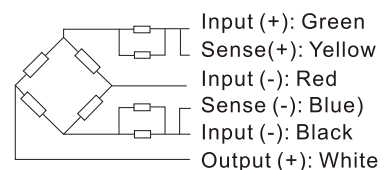
Specifications

Capacity	t	0.5/1/2/5/10/20			
		C2	C3	A5S	A5M
Accuracy class		C2	C3	A5S	A5M
Maximum number of verification intervals	n _{max}	2000	3000	5000	5000
Minimum load cell verification interval	v _{min}	E _{max} /5000	E _{max} /10000	E _{max} /15000	E _{max} /15000
Combined error	(%FS)	≤ ±0.030	≤ ±0.020	≤ ±0.018	≤ ±0.026
Creep	(%FS/30min)	≤ ±0.024	≤ ±0.016	≤ ±0.012	≤ ±0.017
Temperature effect on sensitivity	(%FS/10°C)	≤ ±0.017	≤ ±0.011	≤ ±0.009	≤ ±0.013
Temperature effect on zero	(%FS/10°C)	≤ ±0.023	≤ ±0.015	≤ ±0.010	≤ ±0.014
Output sensitivity	(mv/v)	2.0 ± 0.002			
Input resistance	(Ω)	350 ± 3			
Output resistance	(Ω)	351 ± 2			
Insulation resistance	(MΩ)	≥ 5000(50VDC)			
Zero balance	(%FS)	1.0			
Temperature, compensated	(°C)	-10 ~ +40			
Temperature, allowed	(°C)	-35 ~ +65			
Excitation, Recommended	(V)	5 ~ 12(DC)			
Excitation, Max.	(V)	18(DC)			
Safe overload	(%FS)	150			
Ultimate overload	(%FS)	300			

Outline Dimension mm(inch)



Dimension Capacity	ΦD	ΦD1	H	M
0.5t~2t	105 (4.13)	28 (1.10)	70 (2.76)	M14×2
5t	120 (4.72)	33 (1.3)	80 (3.15)	M20×1.5
10t, 20t	155 (6.10)	60.5 (2.38)	90 (3.54)	M32×2



Wiring:

Shielded, 6 conductor cable φ 5.6mm
Standard cable length: 5m